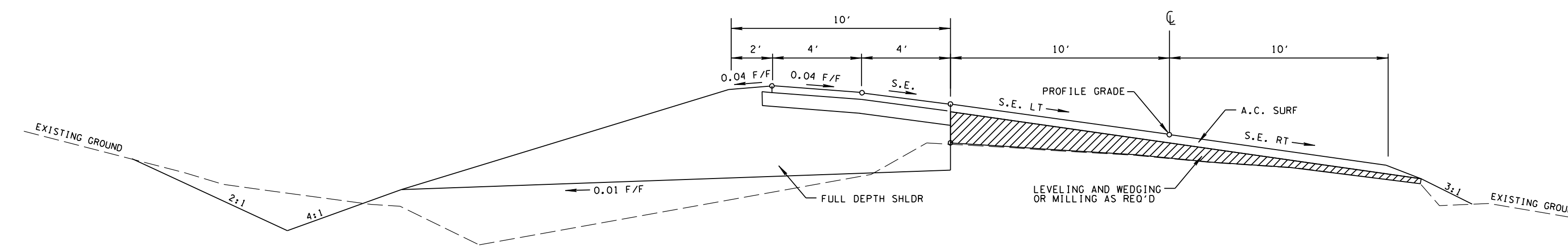


PLAN VIEW  
NOT TO SCALE



TYPICAL SECTION  
NOT TO SCALE



KENTUCKY 606-248-6600  
 NORTH CAROLINA 828-253-2796  
 TENNESSEE 865-546-5800  
 SOUTH CAROLINA 864-574-4775  
 www.voughnmelon.com  
 Copyright © 2009 All Rights Reserved

DESIGNED: DLH  
 DRAWN: MEG  
 CHECKED: EBD

NO.	DATE	REVISIONS

SCALE  
 AS NOTED  
 DATE  
 FEBRUARY 2010

WESTLAND DRIVE  
DRAINAGE AND BRIDGE  
IMPROVEMENTS

ROTHERWOOD CURVE

PROJECT NUMBER  
 C-08-0163  
 SHEET  
 PUBLIC EXHIBIT  
 RC